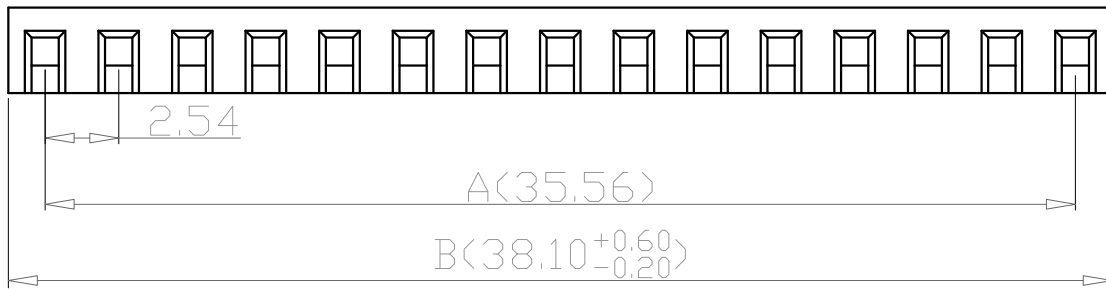
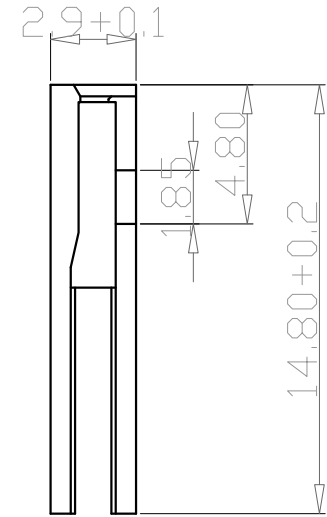
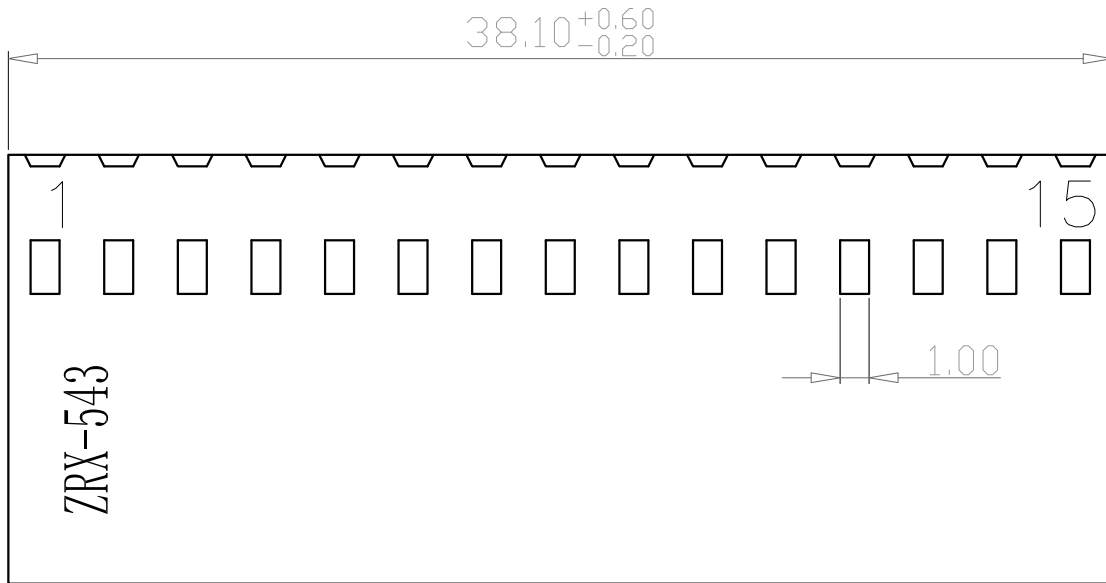


版次	日期	内 容
1.0	03.06.15	原始版本
1.1	03.06.15	详见标记“△”处



specifications

- poles: 2--30p
- voltage rating 250v.ac/dc
- current rating 2.5a
- withstand voltage 800v.ac/ one minutes
- contact resistance $\leq 0.02\Omega$
- insulation resistance: $\geq 1000m\Omega$
- temperature range: -25°C

material

- housing: nylon ul 94v-0
- terminal : phos.bronze tin/plated

$A = (n-1) \times 2.54$
 $B = n \times 2.54$

Shenzhen Zhongrenxing Technology development Co.,LTD				ZRX-543-housing			
Size tolerance	.X ±0.1	.XX ±0.02	.XXX ±0.002	angle tolerance	.X* ±0.1°	.XX* ±0.05°	.XXX* ±0.005°
				Unit	mm	page	1 / 1